

REFRACTORIES

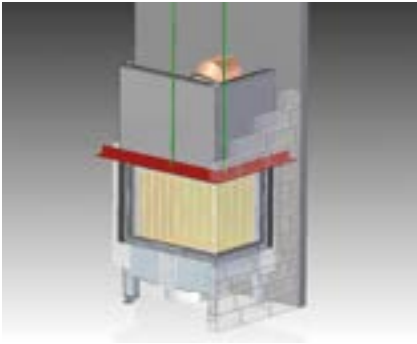
Refractories eboris 1300 ultra ivory



Refractories eboris 1300 ultra black

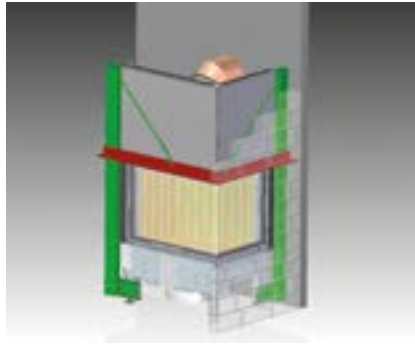


DECLARATION



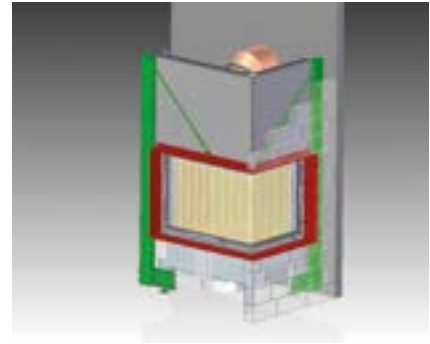
Mounting frame

Mounting frame for absorbing the load of the heating chamber above the lifting door. On-site, the mounting frame is attached to the back wall. The drawbars/turnbuckles will be fixed to the back wall or the ceiling. The weight of the convection chamber is carried by the wall and/or the ceiling. Available for 1-sided, 2-sided and 3-sided fireplace inserts.



Mounting load frame MLR

A mounting frame for absorbing the load of the heating chamber above the lifting door, pre-installed on the fireplace insert and thermally uncoupled. The mounting frame is connected with the fireplace insert by a warp-resistant frame structure. All connecting rods for alignment are part of the delivery. Available for 2-side and 3-side fireplace inserts.



Installation frames BLR

A visible frame for absorbing the load of the heating chamber above the lifting door, pre-installed on the fireplace insert and thermally uncoupled. The system combines the advantages of the solid or bevelled frame (simple, clear connection piece for cladding the fireplace insert) with the advantage of thermal uncoupling of the mounting load frame. All connecting rods for alignment are part of the delivery. Available for 2-sided and 3-sided fireplace inserts.

PREMIUM & LEAN FRAME VARIANTS



Standard:
Included in delivery



Black

NEW:
CAN BE ORDERED
AS AN OPTION



Titan

NEW:
CAN BE ORDERED
AS AN OPTION



White

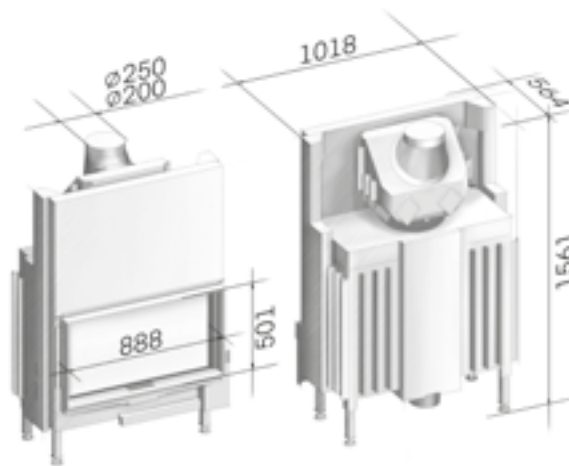
Refractories eboris 1300 ultra
ivory



Refractories eboris 1300 ultra
black

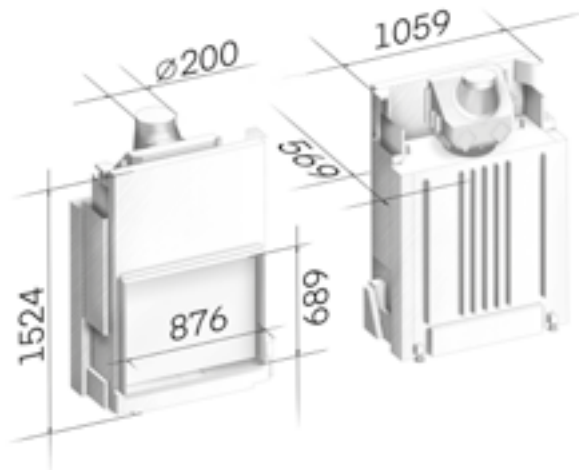


Premium V-1V-87h



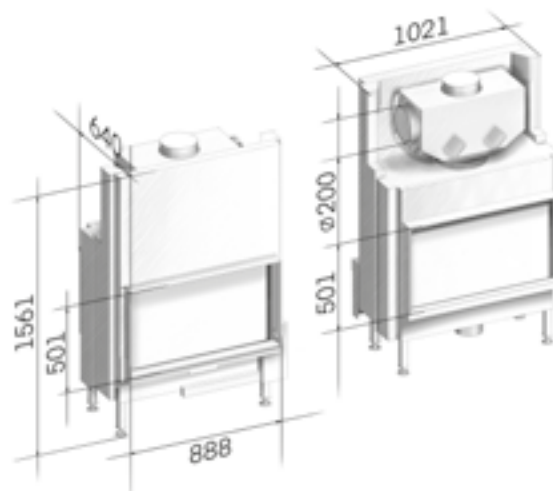
- RLA
- Firewood
- 33 cm
- Slide-up, not self-closing
- Tilt door
- Single glazing
- A** ^{AT} ₆
- 9.5 kW
- 10.9 kW NSHF
- 6.7 - 12.4 kW
- 7.6 - 14.2 kW NSHF
- P. 162

Premium A-1V-87h



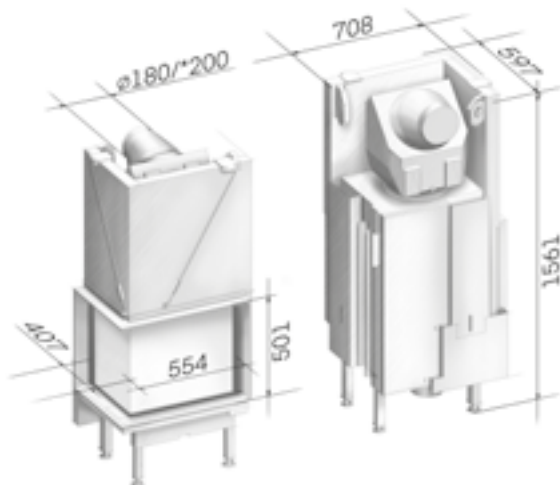
- RLA
- Firewood
- 33 cm
- Slide-up, not self-closing
- Tilt door
- Single glazing
- A** ^{AT} ₆
- 13.8 kW
- 9.7 - 17.9 kW
- P. 162

Premium V-FD-87h



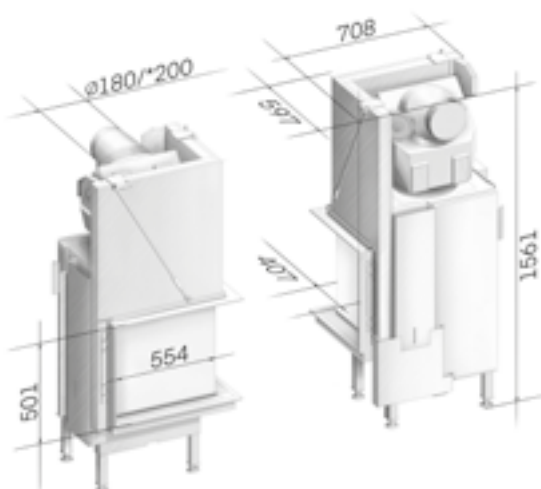
- RLA
- Firewood
- 33 cm
- Slide-up, not self-closing
- Tilt door / Left stop
- Double glazing with EnergyPlus coating
- A** ^{AT} ₆
- 10.6 kW
- 11.1 kW NSHF
- 7.4 - 13.8 kW
- 7.8 - 14.4 kW NSHF
- P. 162

Premium V-2L-55h



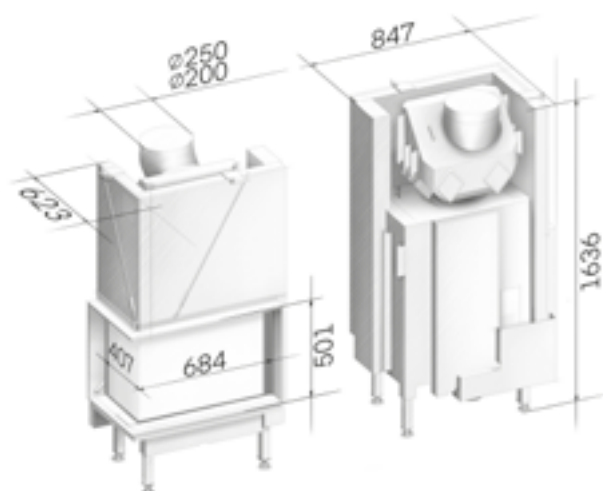
- RLA
- Firewood
- 33 cm
- Slide-up, not self-closing
- Tilt door
- Single glazing
- A** ^A/_G
- 8.0 kW
- 10.9 kW NSHF
- 5.6 - 10.4 kW
- 7.6 - 14.2 kW NSHF
- P. 162

Premium V-2R-55h



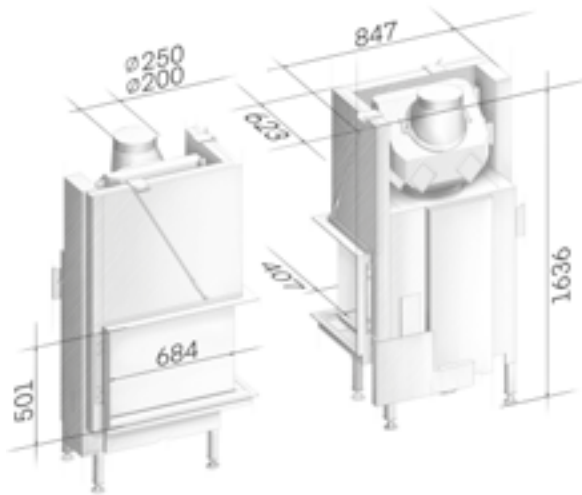
- RLA
- Firewood
- 33 cm
- Slide-up, not self-closing
- Tilt door
- Single glazing
- A** ^A/_G
- 8.0 kW
- 10.9 kW NSHF
- 5.6 - 10.4 kW
- 7.6 - 14.2 kW NSHF
- P. 162

Premium V-2L-68h



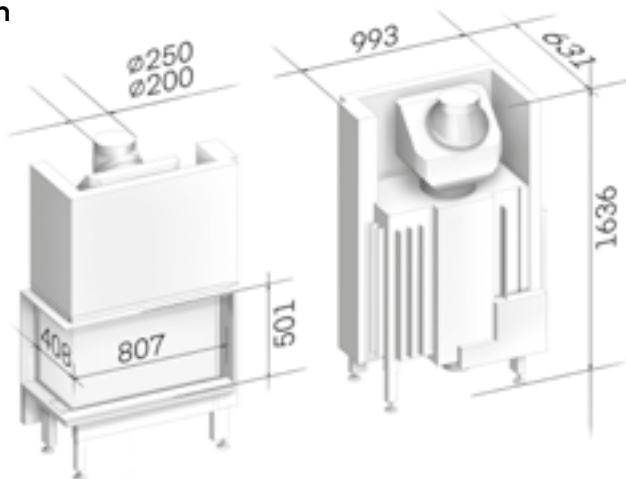
- RLA
- Firewood
- 33 cm
- Slide-up, not self-closing
- Tilt door
- Single glazing
- A** ^A/_G
- 9.6 kW
- 9.9 kW NSHF
- 6.7 - 12.5 kW
- 6.9 - 12.9 kW NSHF
- P. 162

Premium V-2R-68h



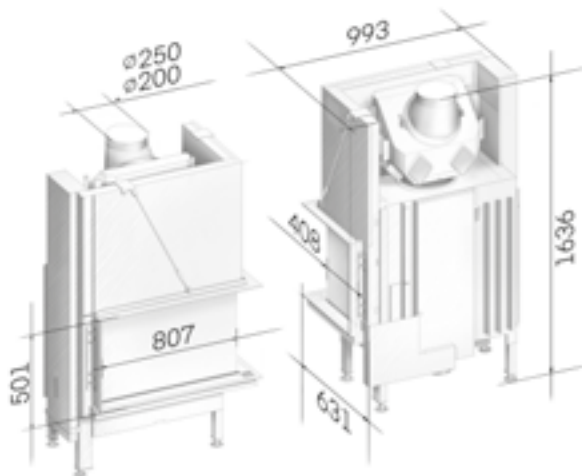
- RLA
- Firewood
- 33 cm
- Slide-up, not self-closing
- Tilt door
- Single glazing
- A** ₆
- 9.6 kW
- 9.9 kW NSHF
- 6.7 - 12.5 kW
- 6.9 - 12.9 kW NSHF
- P. 162

Premium V-2L-80h



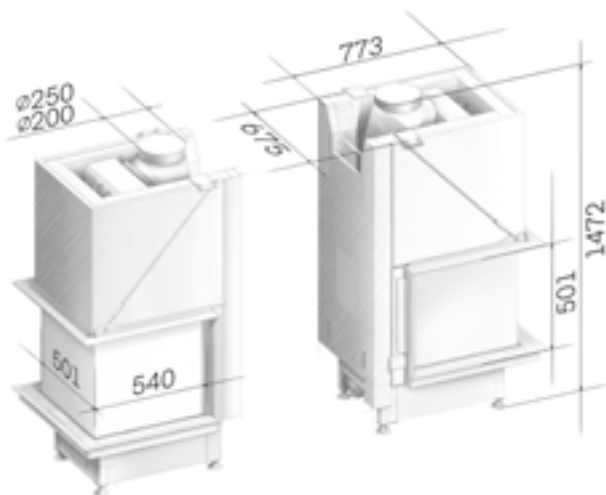
- RLA
- Firewood
- 33 cm
- Slide-up, not self-closing
- Tilt door
- Single glazing
- A** ₆
- 10.5 kW
- 7.4 - 13.7 kW
- P. 163

Premium V-2R-80h



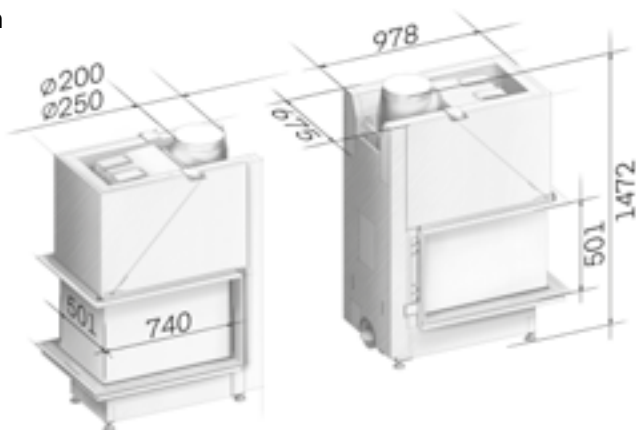
- RLA
- Firewood
- 33 cm
- Slide-up, not self-closing
- Tilt door
- Single glazing
- A** ₆
- 10.5 kW
- 7.4 - 13.7 kW
- P. 163

Premium A-U-50h



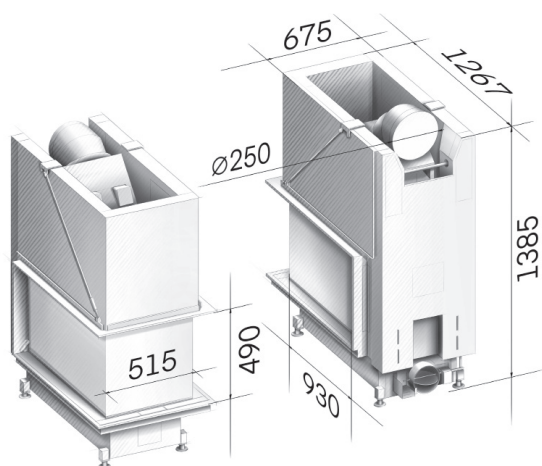
- RLA
- Firewood
- 33 cm
- Slide-up, not self-closing
- Tilt door
- Single glazing
- A
- 9.3 kW
- 6.5 - 12.1 kW
- P. 163

Premium A-U-70h



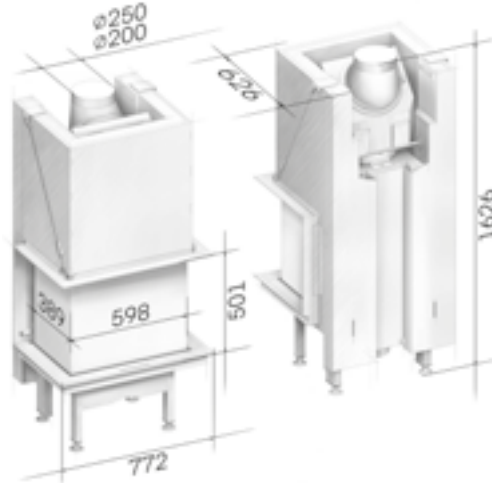
- RLA
- Firewood
- 33 cm
- Slide-up, not self-closing
- Tilt door
- Single glazing
- A
- 11.4 kW
- 8.0 - 14.8 kW
- P. 163




Premium A-U-90h



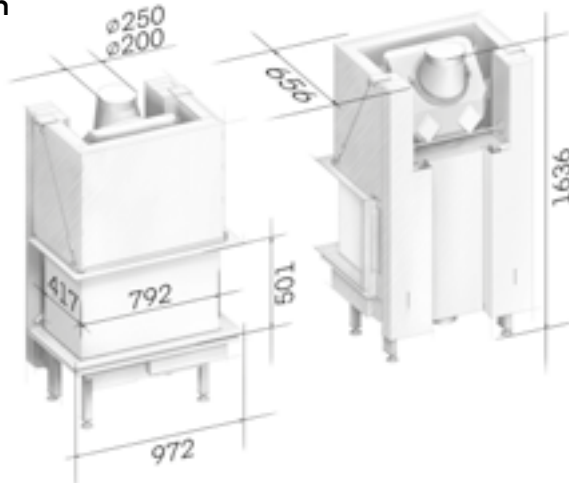
- RLA
- 33 cm
- Slide-up, not self-closing
- Tilt door
- Single glazing
- A
- 17.5 kW
- 12.3 - 22.8 kW

Premium A-3RL-60h



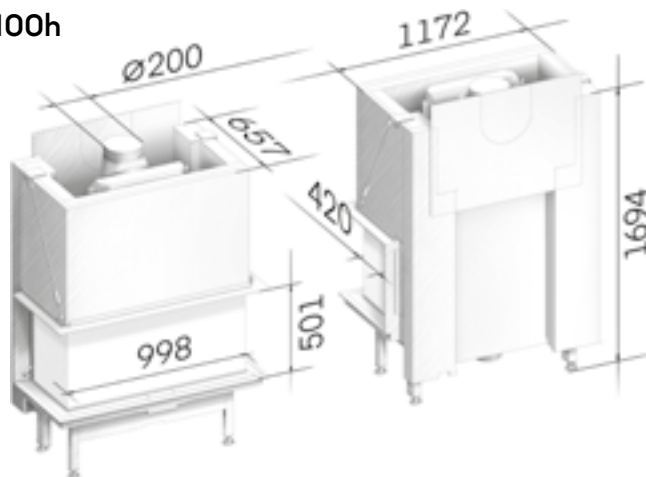
-  RLA
-  Firewood
-  33 cm
-  Slide-up, not self-closing
-  Tilt door
-  Single glazing
-  **A** ^{A1} _G
-  10.0 kW
-  7.0 - 13.0 kW
-  P. 163





Premium A-3RL-80h



-  RLA
-  Firewood
-  33 cm
-  Slide-up, not self-closing
-  Tilt door
-  Single glazing
-  **A** ^{A1} _G
-  11.4 kW
-  8.0 - 14.8 kW
-  P. 163

Premium A-3RL-100h



-  RLA
-  Firewood
-  33 cm
-  Slide-up, not self-closing
-  Tilt door
-  Single glazing
-  **A** ^{A1} _G
-  13.0 kW
-  9.1 - 16.9 kW
-  P. 164